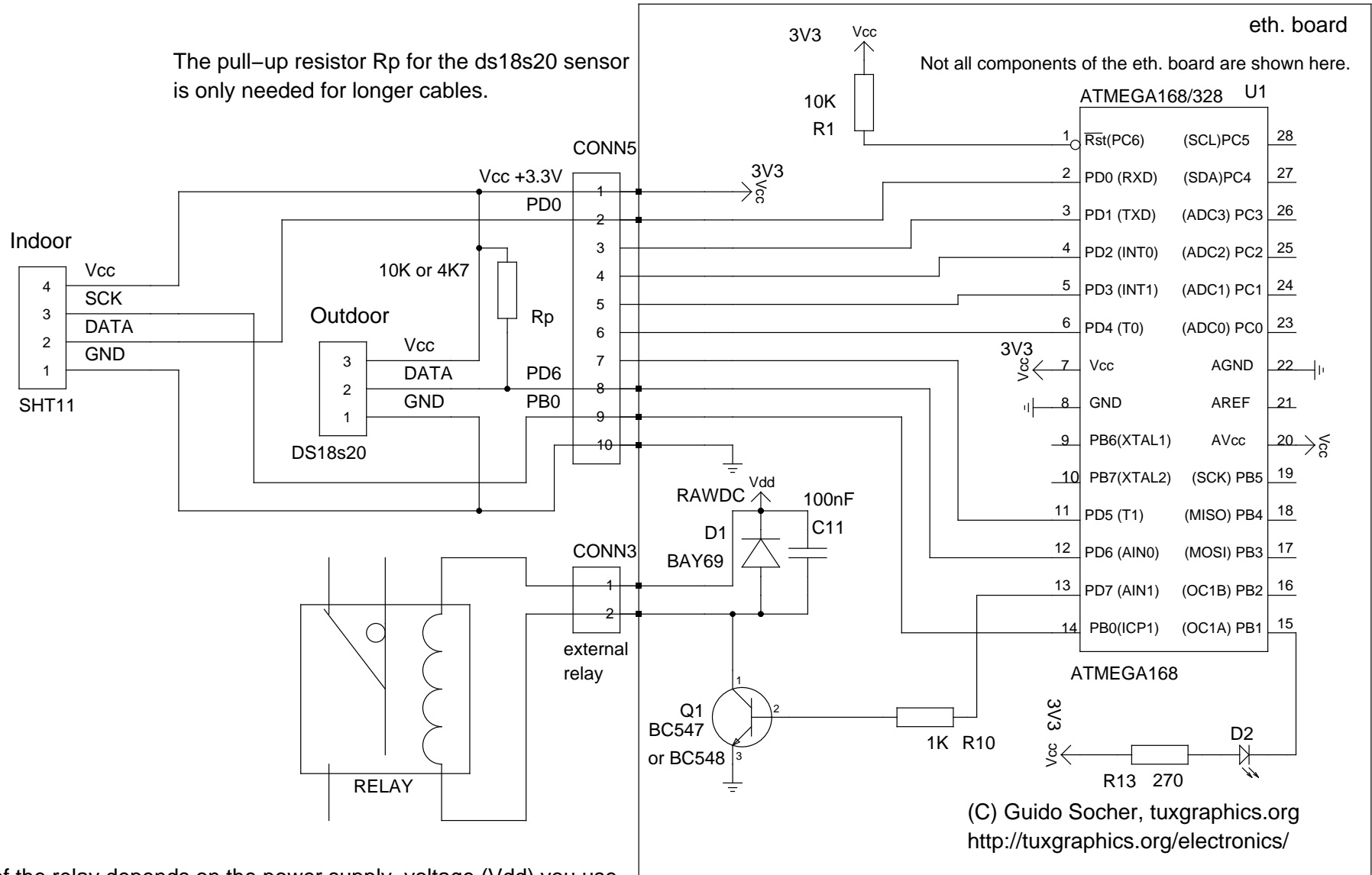


Connection of relay, SHT11 and DS18s20 sensors to the tuxgraphics ethernet board



The rating of the relay depends on the power supply voltage (Vdd) you use. Use a 6V relay for power supply voltages between 5V and 9V otherwise a 12V relay. Pay attention to proper insulation.

(C) Guido Socher, tuxgraphics.org
<http://tuxgraphics.org/electronics/>