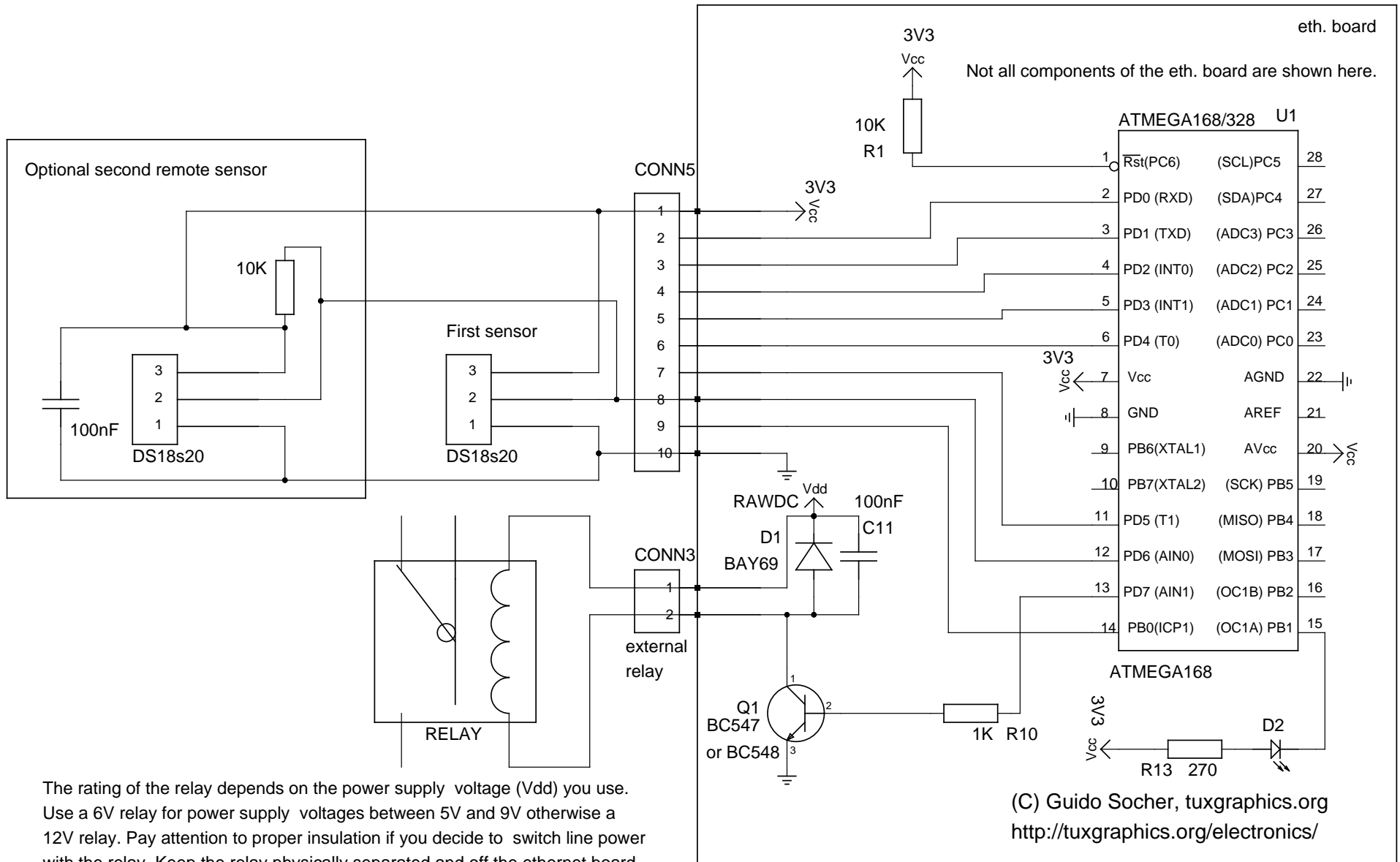


## Connection of relay and DS18s20 sensors to the tuxgraphics ethernet board



The rating of the relay depends on the power supply voltage (Vdd) you use. Use a 6V relay for power supply voltages between 5V and 9V otherwise a 12V relay. Pay attention to proper insulation if you decide to switch line power with the relay. Keep the relay physically separated and off the ethernet board to avoid electromagnetic interference with the microcontroller when switching high currents.

(C) Guido Socher, tuxgraphics.org  
<http://tuxgraphics.org/electronics/>